



# Petrarch

 Petraarch<sup>®</sup>

---

the natural choice

Unlock the potential that only a construction product with such natural beauty, strength, durability and a superb choice of colours and finishes as Petrarch can give you. This reconstituted stone cladding panel offers you all of these, which is why Petrarch continues to be the choice of architects and specifiers for nearly 50 years.

With Petrarch, beauty is more than skin deep and just like a material made by nature, it is equipped to endure the worst that nature can throw at it and just like a natural material, it can cleverly blend with its surroundings or provide a stunning contrast as your design demands.

## contents

Introduction	6
Advantages	7
Colours	8
Textures	9
Finishes	10
Patterned	48
Details	50
Colour & Texture	52
Fixings & framing	54
Performance	55
Environmental	56
Contacts & further support	57

# introduction

Architectural Panel Solutions is a leading UK manufacturer and supplier of rainscreen cladding panel and framing solutions.

Petrarch is a man-made alternative to natural stone which offers all the same attributes whilst providing some key benefits such as ease of use and flexibility in design.

Our expertise and experience in both manufacturing and supplying cladding systems enable us to meet or exceed all the requirements of today's demanding building designs and specifications.

Petrarch cladding is aesthetically pleasing, easy to design, easy to fit and will last year after year, after year.

This, together with our understanding of your requirements, also means that as a supplier, we are as easy to work with as our product range. We'll advise you on any technical or commercial aspect of your project, help you conform with the most stringent specifications and also assist you in achieving the most economical solution, even when specifying bespoke panels.

## With safety at the forefront of everything we do

Architectural Panel Solutions has embarked on a programme to demonstrate that Petrarch has exceptional fire performance, particularly for use in high-rise new build and in over-cladding applications.

Petrarch is fully BBA approved and has achieved a Class 0 (or low risk) for UK standards. The test indicates that the product is low risk with minimal contribution to the fire load. In addition, Petrarch has been tested in accordance with the European classification EN13501-1 as Class A2-s1, d0.

Petrarch, as part of a standard assembly, was tested in accordance with BS8414 part 2 as part of the BRE 135 guidelines.

In the US, the National Fire Protection Association (NFPA) 285 fire test has become the benchmark for establishing the flammability characteristics of non-load bearing wall assemblies and has become a mandatory requirement in many states for buildings over 40ft high. Petrarch was tested as part of a standard façade assembly and passed in accordance with NFPA 285.

cutting-edge aesthetics and superb durability in even the most severe environmental conditions makes Petrarch the natural choice.



Petrarch is BBA accredited and is manufactured in Hastings under ISO 9001 quality management system.

# advantages

so naturally beautiful and rugged, yet light and easy to install

Architects and specifiers have long been aware of the advantages of man-made reconstituted stone panels over natural stone. With Petrarch, we've developed and perfected the art of producing this alternative.

Petrarch enables you to design in individuality and style combined with environmental durability, high impact resistance and freedom from maintenance.

Petrarch is available in a wide range of colours and finishes with two different thicknesses, so there's bound to be one that's perfect for your application. If not, we can create your project specific colour and finish, giving you unlimited design possibilities and freedom.

Petrarch is considerably lighter in weight than its natural stone counterparts, driving down construction time and costs.

The installation cost is usually a fraction of that of stone, allowing striking finishes to be achieved within realistic construction budgets.

# colours

an almost unlimited range of colours... a plethora of creative possibilities

Think of a colour...

With an astounding 1,500 colours in the Petrarch Palette to date, there's a very good chance that you will find what you're looking for. Whether used outside or inside, all are designed to enhance the natural environment of a building and complement the landscape – or create a startling statement.

And as if 1,500 colours weren't enough, we can also manufacture Petrarch in a virtually unlimited range of custom, or colour matched hues to meet the most challenging architectural brief and complement your creative thoughts.

riven

smooth

smooth matt

riven matt

# textures

riven, smooth, smooth matt or riven matt... beautiful but practical textures with individual style

Because of how it's formed, quarried and weathered, natural stone comes in different surface finishes and textures. Why should man-made materials be any different?

With Petrarch, you get a choice of four different standard finishes to lend even more individuality and style to any building. Choose from a traditional riven finish that replicates the surface of slate, a contemporary smooth finish and a textured matt finish to either.

Choice of texture adds a tactile dimension to product selection. By designating the surface finish and patternation the colours gain additional character and depth.

Every finish is available in all of our 1,500 colours or any bespoke colour, providing an almost unlimited number of combinations to satisfy your creativity.

Petrarch panels can also be honed or supplied with a range of factory applied coatings. These coatings can be used to provide exceptional anti-graffiti properties or simply seal and enrich the panel surface.

Ask us about our new custom 3D surfaces adding further depth and character to any colour.



the naturally striking appearance  
of slate that has weathered the  
elements for millennia

riven



Guilford Baptist Church - Guilford  
Colour: Limestone Riven



Blackwall Reach - London  
Colour: Heather Riven, Aluminium Riven  
and Alabaster Smooth Matt





A1 Retail Park, London Road, Biggleswade  
Colour: Dorset Riven





North West Kent College, Dartford  
Colour: Aluminum, Alabaster, Graphite and Russett Riven





Eagles Meadow, Wrexham  
Colour: Heather Riven and Graphite Riven



smooth

BEAR LANE SE1  
LONDON BOROUGH OF SOUTHWARK

Holiday Inn Express

Holiday Inn Express, Southwark, London  
Colour: Dorset Smooth Matt

smooth



a contemporary surface  
that adds an elegant,  
subtle finish to  
any building

smooth

smooth



Tileman House, London  
Colour: Dorset Smooth Matt

smooth

smooth



Station Harderwijk, Netherlands  
Colour: Limestone Smooth Matt

smooth

smooth



Industry Engagement Building, University of Strathclyde  
Colour: #1102B (Special) Smooth Matt

smooth

smooth



Technology Innovation Centre - University of Strathclyde  
Colour: #1102B (Special) Smooth Matt

matt

Dexion House, London  
Colour: Dorset Smooth Matt

matt



matt

matt



Royal Wharf, London  
Colour: #1158BB (Special) Smooth Matt

matt



Sherwood Court, London  
Colour: Alabaster Smooth Matt and #1181 (Special) Smooth Matt

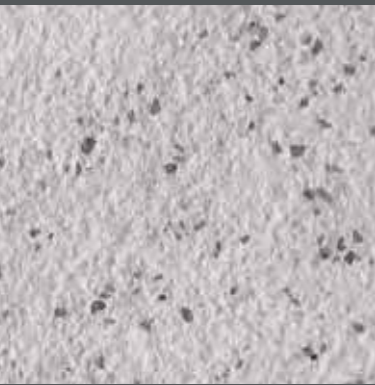
matt



matt

Capital Judicial Centre, Augusta, Maine  
Colour: Dover Smooth Matt

matt



riven



Hyatt Place, Portland, Maine  
Colour: Graphite Riven and #1100 (Special) Riven

riven

matt



Hogeschool Stenden, Leeuwarden, Netherlands  
Colour: #1214 (Special) Smooth Matt

matt



smooth

smooth



Radisson Blu, Bruges, Belgium  
Colour: Alabaster Smooth Matt

matt



University of Massachusetts Football Performance Centre  
Colour: Graphite Smooth Matt



matt



matt



Southwestern College, Chula Vista, CA  
Colour: Light Stone River Matt

matt





The Natural History Museum - London



# patterned

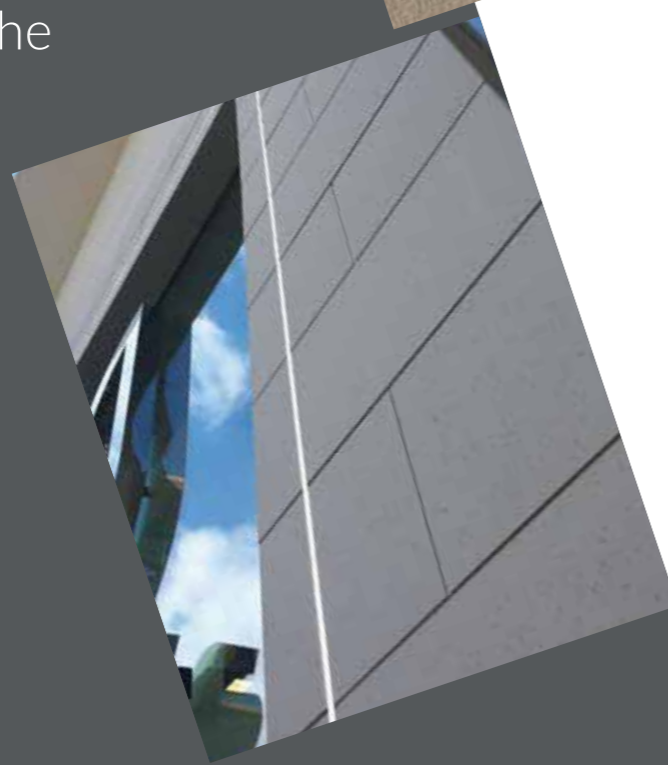
highly intricate and striking designs can be created, adding an exciting new visual element for architects and designers that will accentuate any internal features



Mont Blanc - Chicago, Illinois

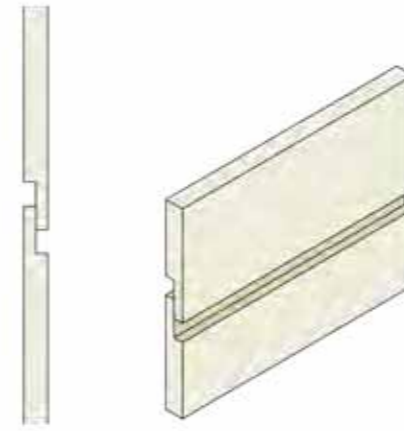
The small attention to detailing ensures that the profile is seamless, complimenting the overall look

# details



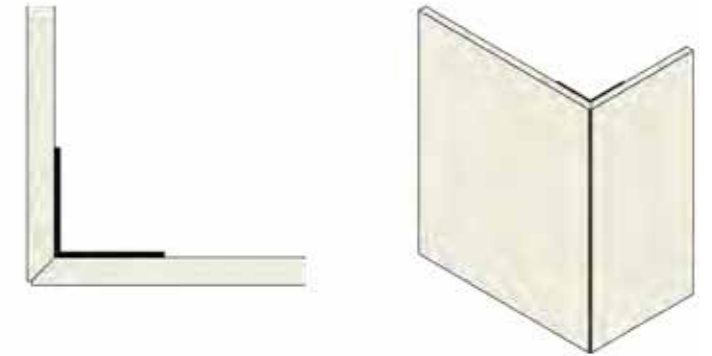
## Martlett Joint

Factory fabricated overlapping concealed joints for an elegant and monolithic design Min joint width: 10mm



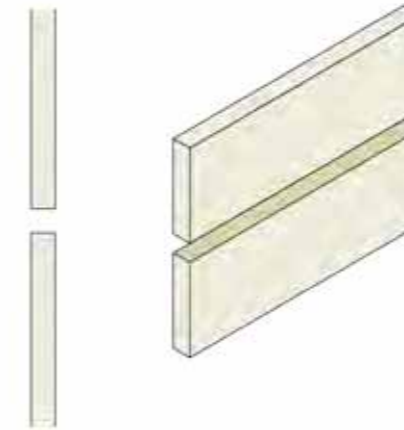
## Prefabricated Mitred Corner

Factory fabricated mitred corners provide a sleek and elegant design. With the simplicity and convenience of factory assembly, accuracy and ease of installation is guaranteed. Ask us about other prefabricated corner options.



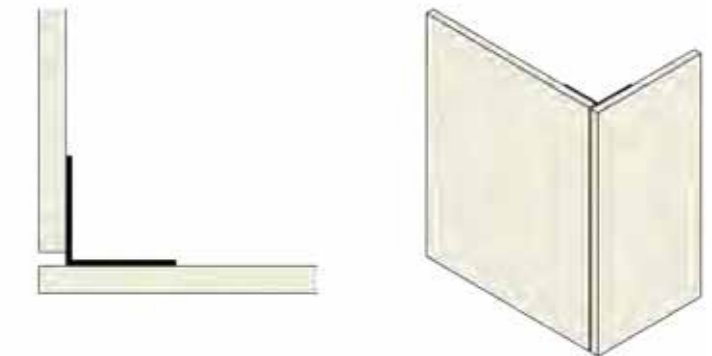
## Open Joint

Simple and effective open joint enables an accurate and clean panel connection with no additional fabrication Min joint width: 10mm



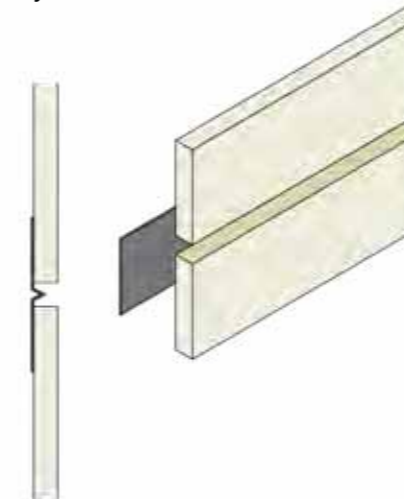
## Butt Corner

Simple and effective corner enables an accurate and clean finish with minimal additional fabrication.



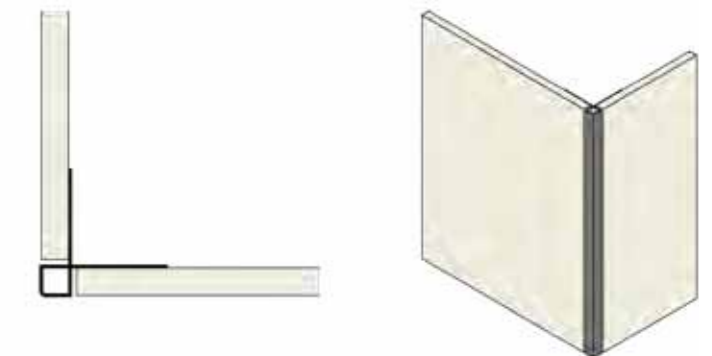
## Closed Joint

Joints closed with flat or birdsbeak joint profiles, available in any colour, maybe to match the Petrarch panels or make a statement and emphasise the joint. Min joint width: 10mm



## Closed Corner

Corners closed with box profiles, available in any colour, maybe to match the Petrarch panels, for a simple dressed corner



# colour & texture

	Riven	Smooth	Matt
Alabaster			
Limestone			
Portland			
Dover			
Dorset			
Parchment			
Light Stone			

## Set your designs free

Choose from a range of 1,500 beautiful standard colours and textures or set your designs free with unlimited bespoke colours meeting your exacting standards.

	Riven	Smooth	Matt
Terracotta Red			
Arizona			
Aluminum			
Ash			
Pewter			
Heather			
Graphite			

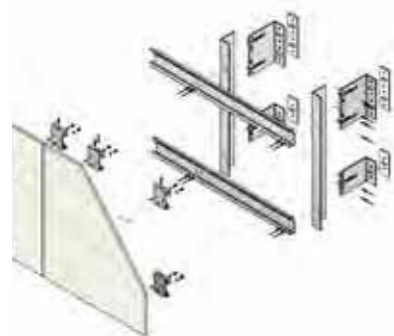
# fixing & framing

Petrarch panels can be easily mechanically secret fixed to bracket and rails, or simply face fixed or adhesive fixed for a clean seamless appearance.

Architectural Panel Solutions have many suitable types of rainscreen support systems which have been developed to suit Petrarch.

Visit [www.architecturalpanelsolutions.com](http://www.architecturalpanelsolutions.com) to find out more.

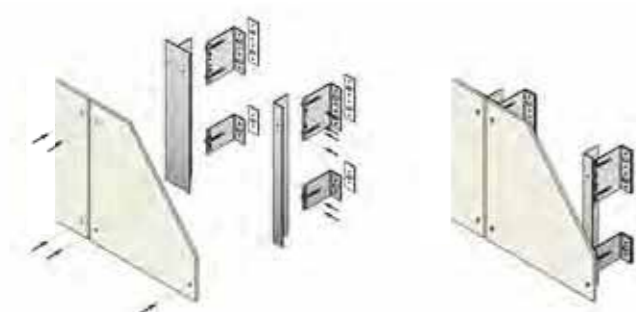
Mechanical Secret Fix



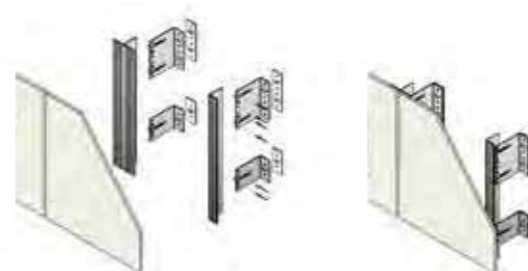
Face Fix - omega and zed sections



Face Fix – rails and brackets



Adhesive Secret Fix



# performance

The performance and physical properties of Petrarch – particularly durability, flexural strength and weight savings – offer many benefits over natural stone, slate, terracotta, precast concrete and glass reinforced concrete.

The main characteristics are detailed below.

## DIMENSIONS

Normal Thickness	7 mm (5/16")	10 mm (7/16")
Sheet Sizes	2430 x 1210 mm (95 3/4" x 47 3/4")	2430 x 1210 mm (95 3/4" x 47 3/4")
	3040 x 1210 mm (119 3/4" x 47 3/4")	3040 x 1210 mm (119 3/4" x 47 3/4")

## PROPERTIES

Weight	15.7kg/m <sup>2</sup> (3.2 lb/SF)	22kg/m <sup>2</sup> (4.5 lb/SF)
Flexural strength	25MPa	25MPa
Modules of elasticity	11,000 MPa	11,000 MPa
Moisture absorption	0.1% by weight (24 hour total immersion)	0.1% by weight (24 hour total immersion)
Impact resistance	2.0J	3.5J
Coefficient of expansion	22 x 10 <sup>-6</sup> /°C	22 x 10 <sup>-6</sup> /°C
Building material class (FR)	A2-s1, d0   EN 13501-1	A2-s1, d0   EN 13501-1
	B-s2, d0   EN 13501-1	B-s2, d0   EN 13501-1
National fire rating	Class '0'   BS 476 Part 6 & 7	Class '0'   BS 476 Part 6 & 7
Assembly fire tests	BS8414 part 2, assessed by BRE135 NFPA 285 – Pass	

## WEIGHT KG/M<sup>2</sup>

0 25 50 75 100 125

## MATERIAL

## THICKNESS (MM)

High pressure laminate	6	■
Fibre cement board	6	■
Glass	6	■
Petrarch	7	■
Petrarch	10	■
Marble	30	■
Granite	40	■
GRC (Glass Reinforced Concrete)	15	■
Slate	25	■
Precast concrete	100	■

# environment

## our commitment

At Architectural Panel Solutions we realise the important part we play in protecting our environment for future generations, which is why we are doing everything we can to minimise our carbon footprint. Not only in the manufacture of our products and the sourcing of raw materials, but also in their application and long term impact.

## manufactured in the UK

Petrarch has been manufactured in the UK for nearly 50 years, and panels can be ordered cut to size at the factory and fully fabricated, reducing offcuts and waste at the construction site.

## recycling

When packing the panels for transport to the site, we use the minimum of packaging materials, which consist of recycled cardboard and wood for a pallet base allowing for easy recycling.



# contact & support

## Enduring beauty

Choosing Petrarch brings you individuality and style combined with extreme environmental durability and low maintenance. Petrarch's wide range of colours and textures enables architects and designers to create beautiful buildings in a sustainable and eco-friendly way – and at a fraction of the cost of its natural stone counterparts.

## Complementary samples

We are happy to send you free samples of this stunning material. Please contact our dedicated customer service teams:

### UK and Europe

telephone: +44 (0) 1424 852 641

### USA

telephone: +01 630 355 4040

or visit our website.



## Workshops

If you would like to find out more about Petrarch and our other rainscreen products, why not book a CPD workshop with Architectural Panel Solutions expert advisers.

During the workshop you'll find out all the crucial information you need when specifying Petrarch and our other rainscreen panels and systems, including key performance characteristics, benefits and maintenance.

Call us today on +44 (0)1424 852 641 for estimates, advice and information.

 Petraarch<sup>®</sup>

---

the natural choice

# contacts

## UK and Europe

telephone: +44 (0) 1424 852 641

address: 5 Wainwright Close,  
Churchfields Industrial Estate,  
St Leonards-on-Sea, East Sussex,  
TN38 9PP

email: [enquiries@architecturalpanelsolutions.com](mailto:enquiries@architecturalpanelsolutions.com)

[www.architecturalpanelsolutions.com](http://www.architecturalpanelsolutions.com)

## USA

telephone: +01 630 355 4040

address: 1717 N. Naper Blvd.  
Suite 100, Naperville, IL 60563

email: [info@omnis-panels.com](mailto:info@omnis-panels.com)

[www.omnispanels.com](http://www.omnispanels.com)



[www.architecturalpanelsolutions.com](http://www.architecturalpanelsolutions.com)

[enquiries@architecturalpanelsolutions.com](mailto:enquiries@architecturalpanelsolutions.com)

Architectural Panel Solutions reserves the right to make substitutions and modifications to the specifications of any of its products without prior notice. It is the customer's responsibility to ensure that the company's products are correctly installed and that they are suitable for the customer's particular requirements and application.

The company undertakes business only upon its standard terms and conditions.

For project specific samples or technical assistance please contact our technical department on [enquiries@architecturalpanelsolutions.com](mailto:enquiries@architecturalpanelsolutions.com).

All information is correct as of the date of this document, created March 2019.