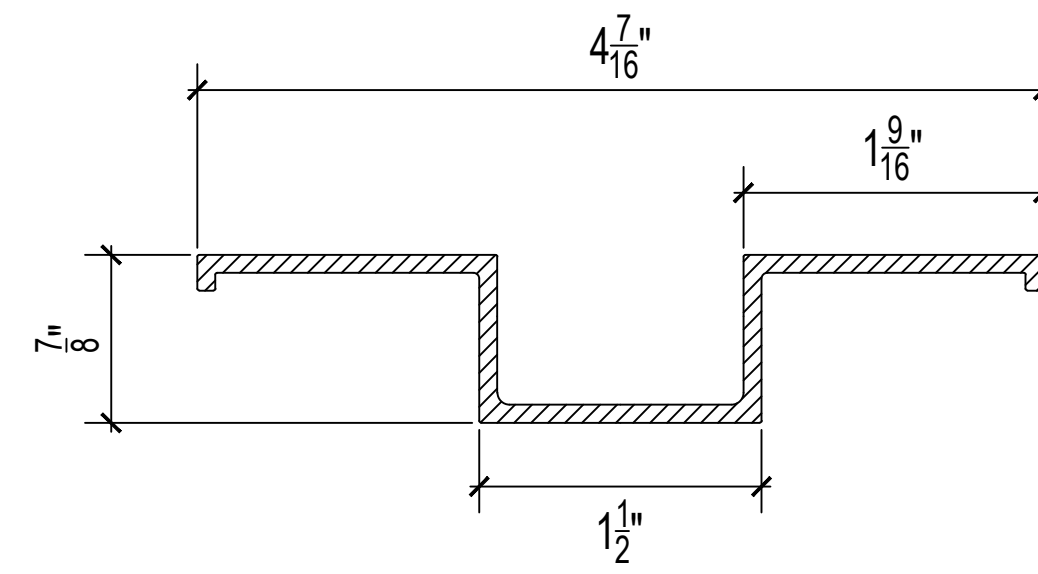


\$ 1.99 LF BLACK

'ECO Z' PROFILE

SCALE : 1'-0" = 1'-0"

PATENTED

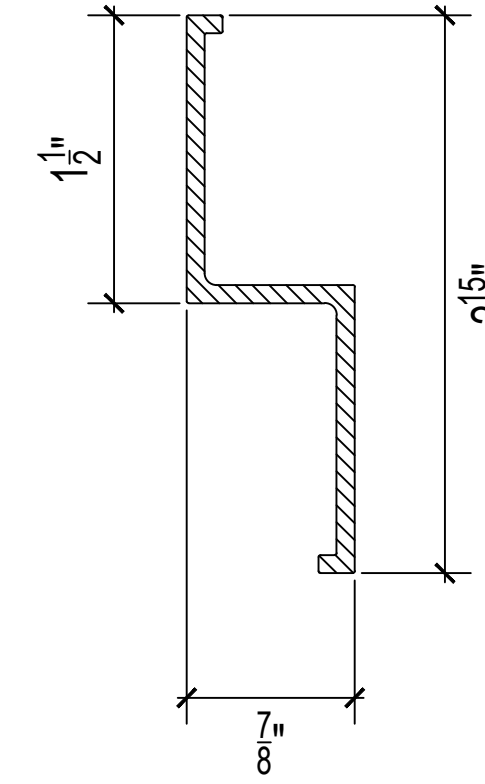


\$ 3.99 LF BLACK

'ECO HAT CHANNEL'

SCALE : 1'-0" = 1'-0"

PATENTED

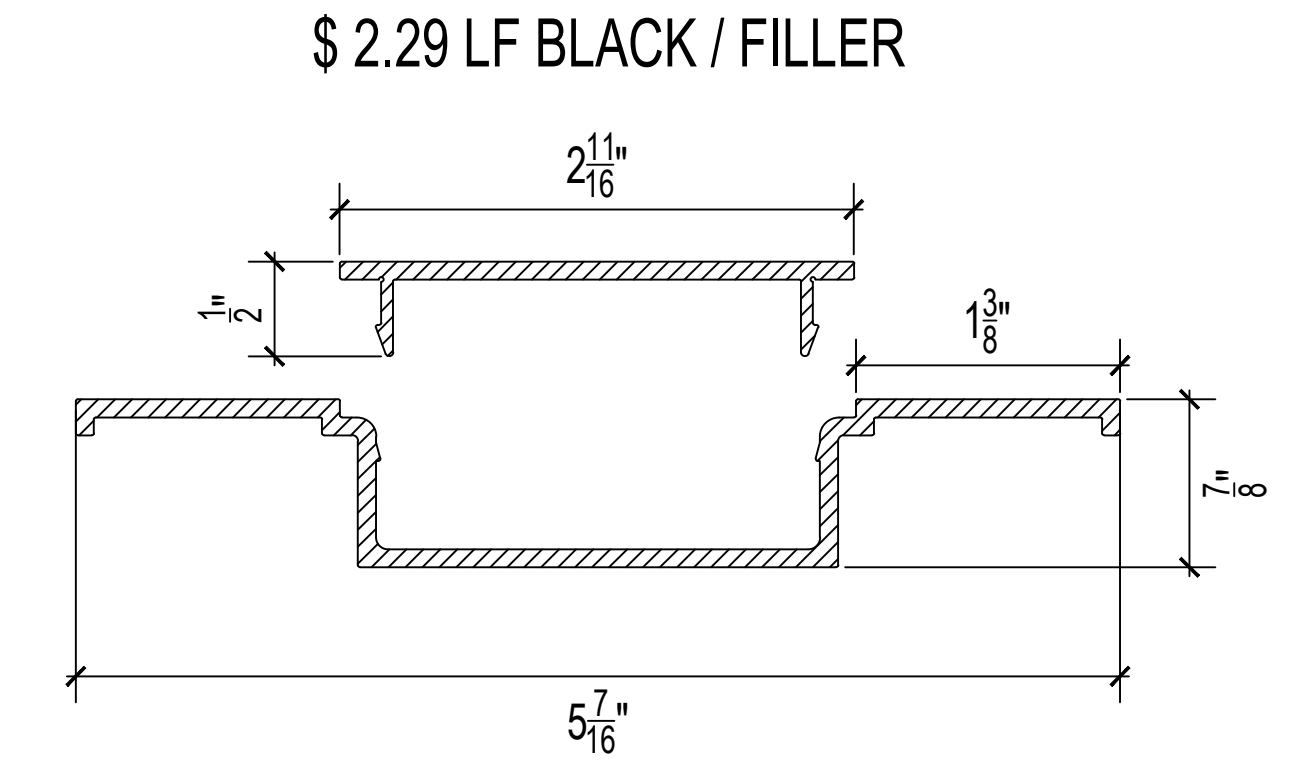


\$ 2.49 LF BLACK

'Z' PROFILE

SCALE : 1'-0" = 1'-0"

PATENTED

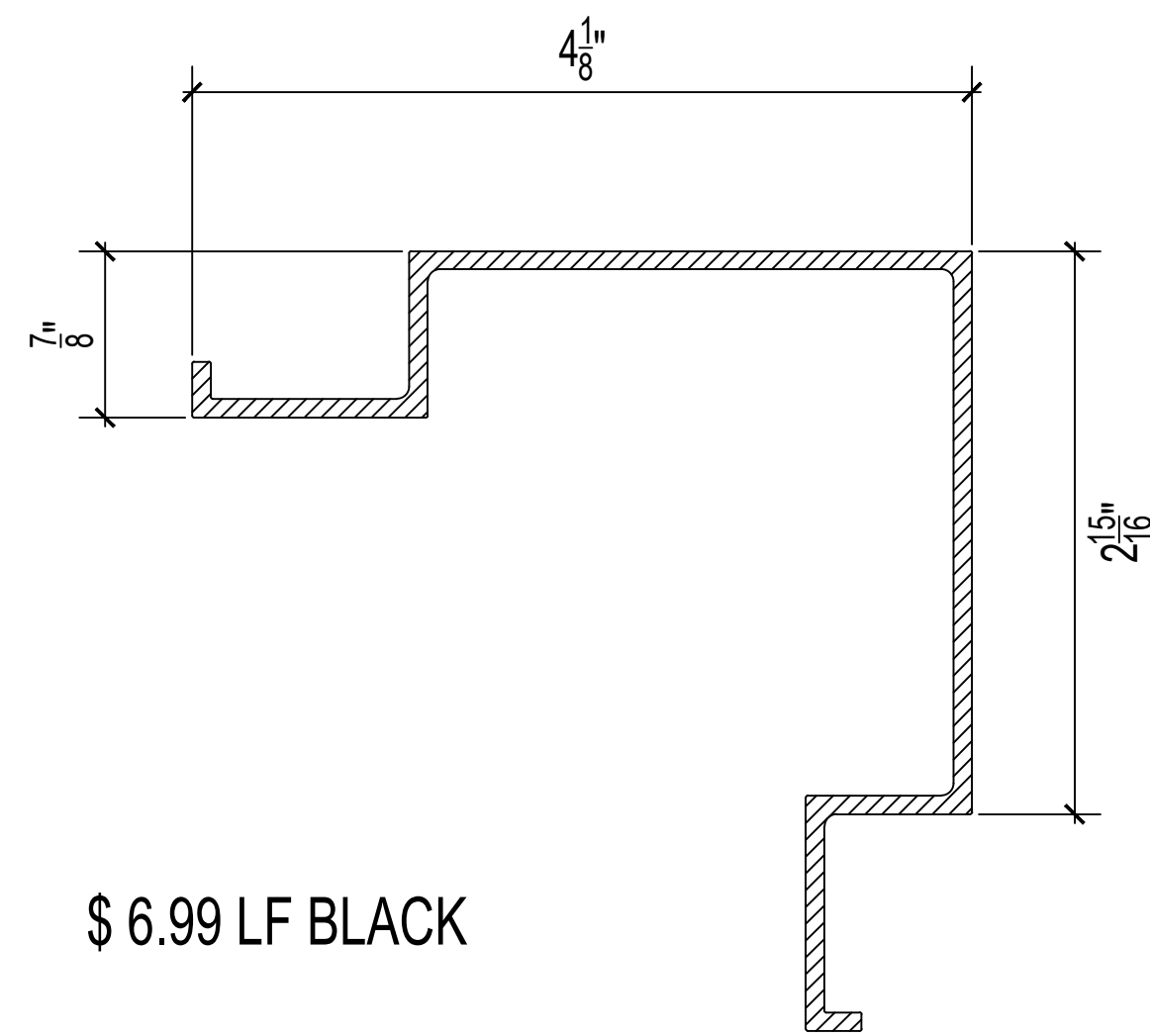


\$ 4.49 LF BLACK / HAT

HAT CHANNEL W/ OPTIONAL FILLER

SCALE : 1'-0" = 1'-0"

PATENTED

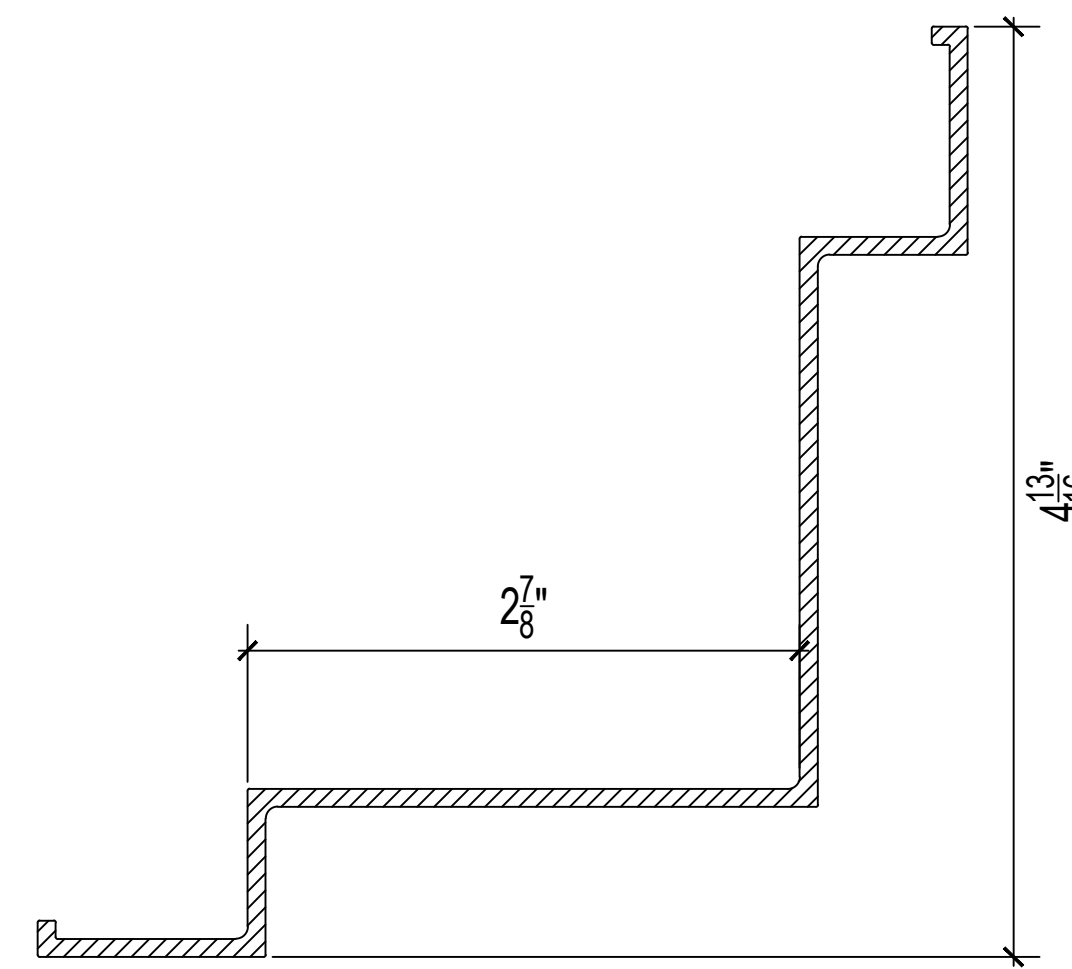


\$ 6.99 LF BLACK

OUTSIDE CORNER

SCALE : 1'-0" = 1'-0"

PATENTED

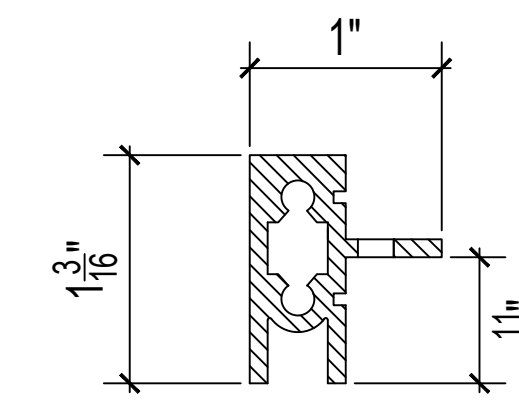


\$ 6.99 LF BLACK

INSIDE CORNER

SCALE : 1'-0" = 1'-0"

PATENTED

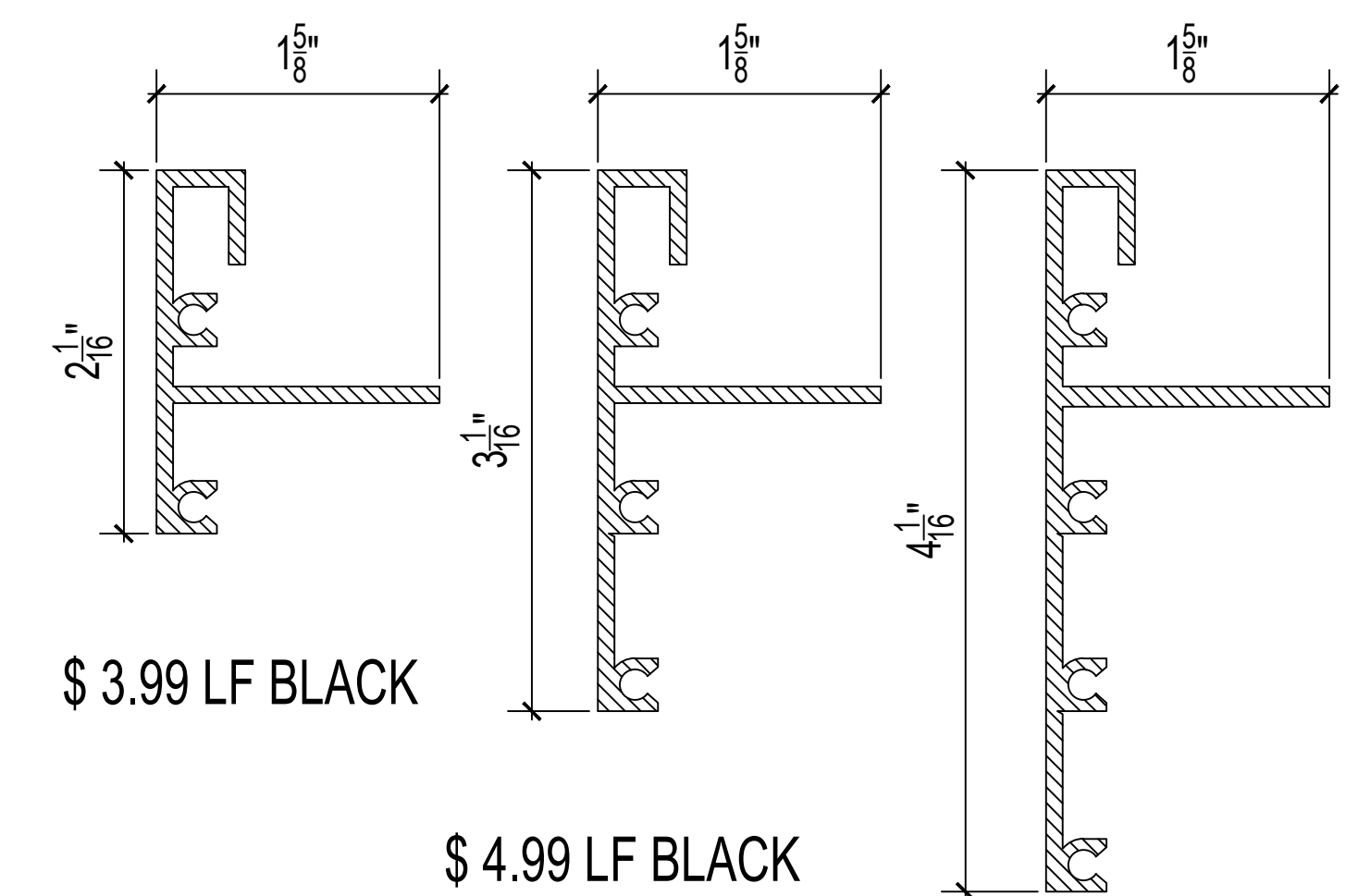


\$ 4.69 LF BLACK

SL WINDOW TRIM

SCALE : 1'-0" = 1'-0"

PATENTED



\$ 3.99 LF BLACK

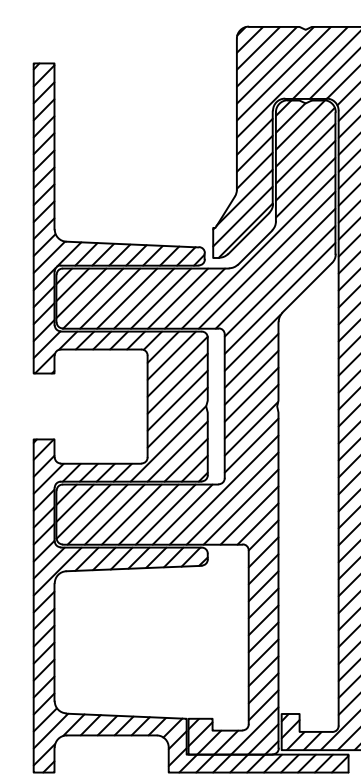
\$ 4.99 LF BLACK

\$ 5.99 LF BLACK

DL WINDOW / DOOR TRIM

SCALE : 1'-0" = 1'-0"

PATENTED

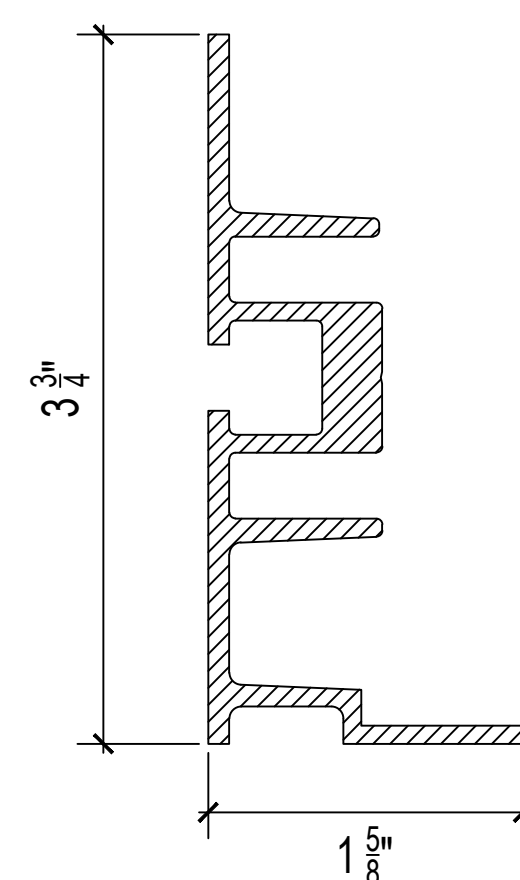


CALL FOR PRICING

CONCEALED FASTENER/CI

SCALE : 1'-0" = 1'-0"

PATENTED

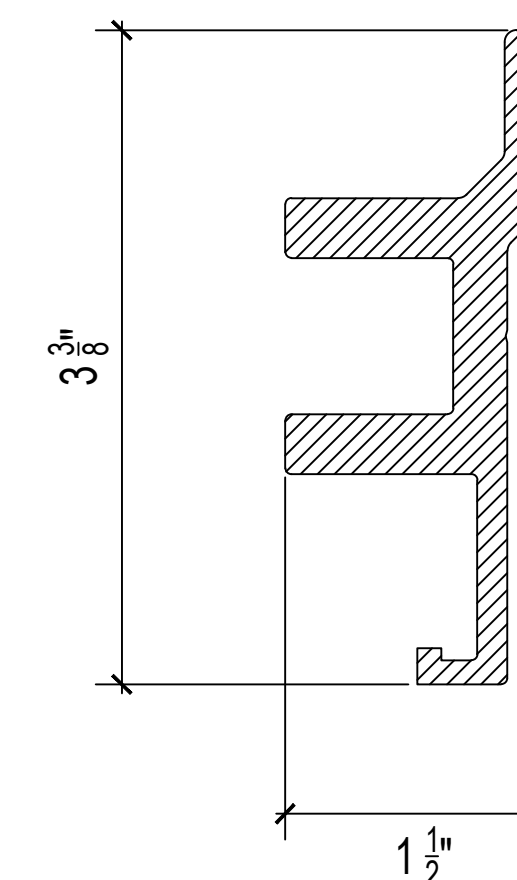


CALL FOR PRICING

CONCEALED FASTENER - COMPONENT

SCALE : 1'-0" = 1'-0"

PATENTED

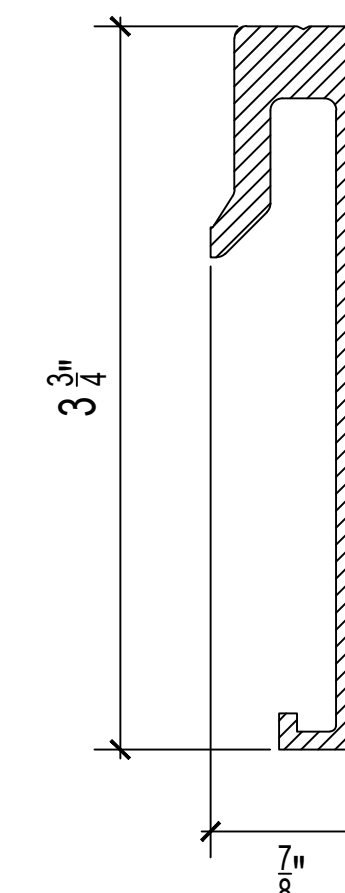


CALL FOR PRICING

CONCEALED FASTENER - COMPONENT

SCALE : 1'-0" = 1'-0"

PATENTED



CALL FOR PRICING

CONCEALED FASTENER - COMPONENT

SCALE : 1'-0" = 1'-0"

PATENTED

MOTO LIBRARY PROFILES

ML